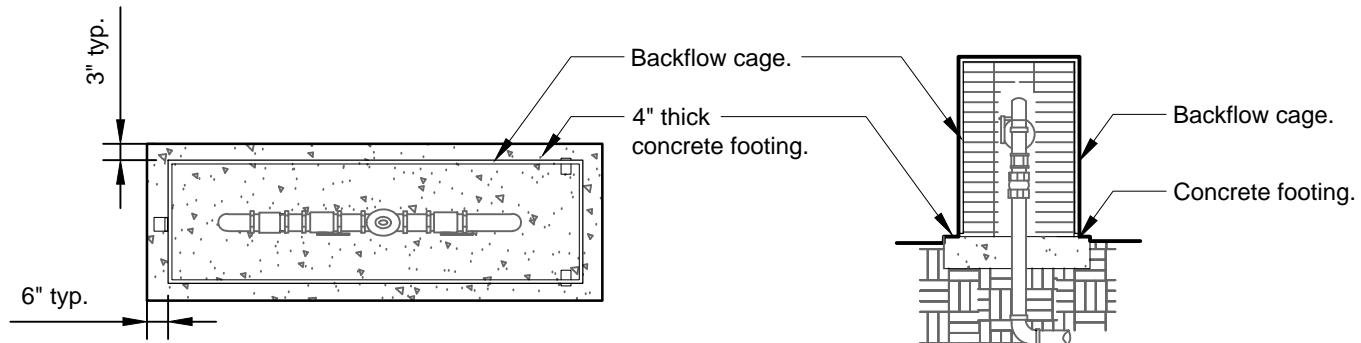


**SECTION VIEW**



**PLAN VIEW**

**END VIEW**

Notes:

- 1- Install backflow cage per manufacturer's specifications and recommendations.
- 2- See backflow prevention device detail for reference.
- 2- Lock box shall be located above concrete footing
- 3- Contractor shall provide a lock as approved by the Owner's Representative.



## BACKFLOW CAGE